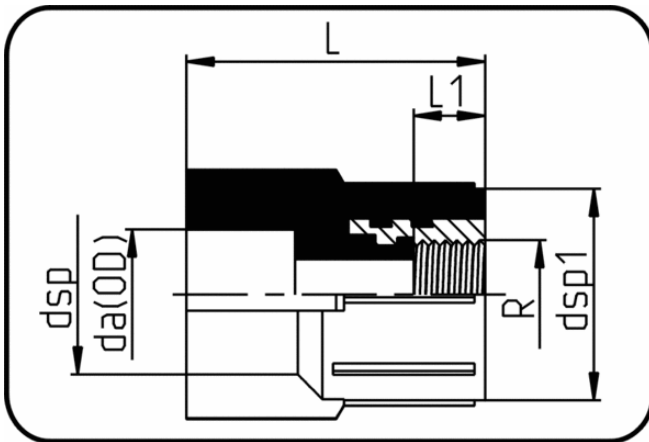


Fittings for Socket Welding



Code: 082

- Adaptor
- with metal female thread
- class1-10bar class2-8bar
- **Socket-welding**
- PPR grey

Dimension	Code	Detail	da(OD) mm	L mm	L1 mm	R inch	dsp mm	dsp1 mm	Weight
20	11.082.0020.07	20X1/2" - MOP 20 bar	20	46,5	12	0,5	29,3	39	0.08
25	11.082.0025.07	25X1/2" - MOP 20 bar	25	46,5	12	0,5	35	39	0.08