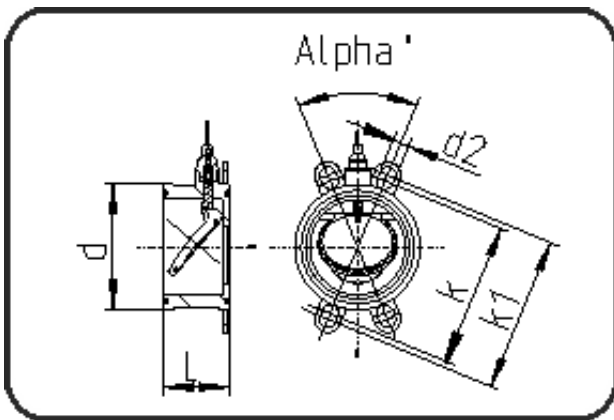


Valves



Code: 258.3

- Swing check valve K4 + Spring
- EPDM-sealing
- Flange connection DIN/ANSI/JIS
- PP-FRP grey

Dimension	Code	Detail	Weight
160	11.258.3160.11	DN 150 da 160 MOP 10 bar	1.71

	Unit	Nominale	Tol+	Tol-
da(OD)	mm	160	1.50	0.00
L	mm	106	0.75	0.75
k1	mm	242	0.75	0.75
DN	mm	150	0.00	0.00
d	mm	212	0.75	0.75
alph	[°]	45	0.75	0.75
d2	mm	24	0.75	0.75
k	mm	234	0.75	0.75