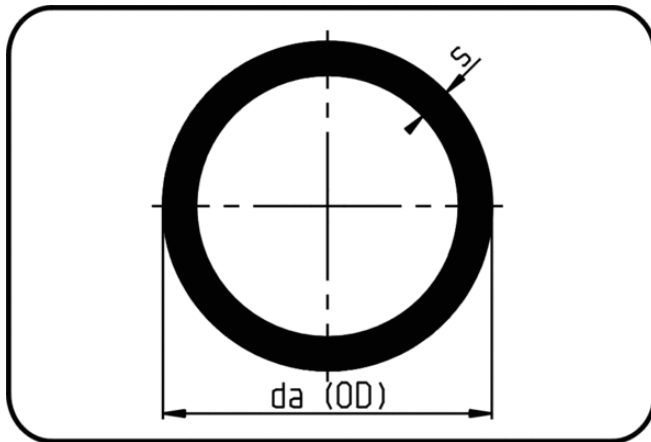


Pipes



Code: 705

- Pipe 5m
- extruded
- ECTFE natural

Dimension	Code	Detail	da(OD) mm	s mm	Weight
90	40.705.0090.33	90X2,8 SDR33 ISO S-16	90	2,8	1.40
110	40.705.0110.00	110X3,0 Ventilation	110	3	1.83
160	40.705.0160.00	160X3,0 Ventilation	160	3	2.69
20	40.705.0020.21	20X1,9 SDR21 ISO S-10	20	1,9	0.20
25	40.705.0025.21	25X1,9 SDR21 ISO S-10	25	1,9	0.25
32	40.705.0032.21	32X2,4 SDR21 ISO S-10	32	2,4	0.41
40	40.705.0040.21	40X2,4 SDR21 ISO S-10	40	2,4	0.52
50	40.705.0050.21	50X3,0 SDR21 ISO S-10	50	3	0.80
63	40.705.0063.21	63X3,0 SDR21 ISO S-10	63	3	1.03
75	40.705.0075.21	75X3,6 SDR21 ISO S-10	75	3,6	1.46
90	40.705.0090.21	90X4,3 SDR21 ISO S-10	90	4,3	2.10
110	40.705.0110.21	110X5,3 SDR21 ISO S-10	110	5,3	3.14
140	40.705.0140.21	140X6,7 SDR21 ISO S-10	140	6,7	5.01
160	40.705.0160.21	160X7,7 SDR21 ISO S-10	160	7,7	6.57