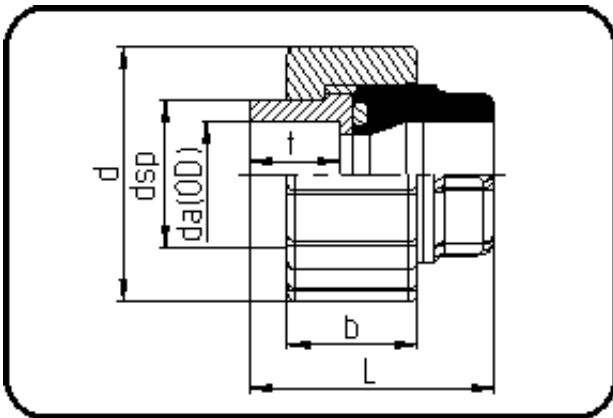


## Fittings for Socket Welding



Code: 024.11

- Union Type 24
- FPM-sealing
- injection moulded
- **Socket-welding**
- PPR grey

Dimension	Code	Detail	Weight
20	11.024.1120.07	20 - MOP 10 bar	0.04

	Unit	Nominale	Tol+	Tol-
da(OD)	mm	20	0.00	0.00
L	mm	45	3.00	3.00
b	mm	24	1.50	1.50
dsp	mm	27,3	1.00	1.00
d	mm	47	1.50	1.50
t	mm	16	1.50	1.50