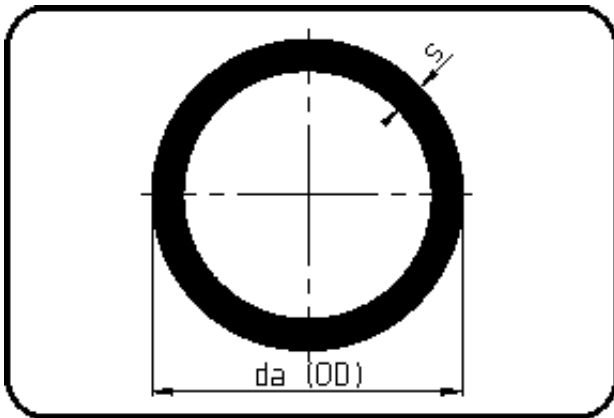


Pipes



Code: 705

- Pipe 5m
- flame retardant & el-conduct.
- extruded
- **PPs-el black**

Dimension	Code	Detail	Weight
90	19.705.0090.33	90X2,8 SDR33 MOP<1,5bar	0.98

	Unit	Nominale	Tol+	Tol-
da(OD)	mm	90	0.90	0.00
s	mm	2,8	0.50	0.00