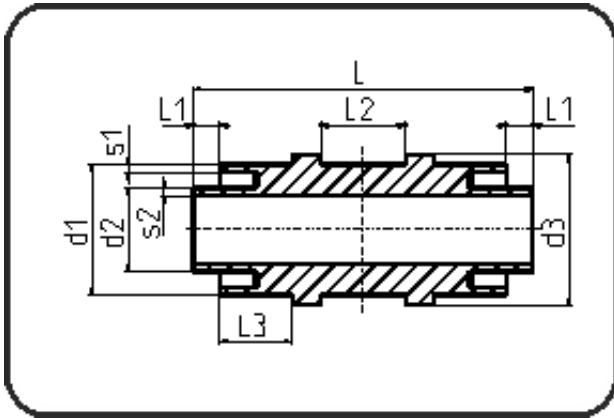


## PE 100-RC Poly-Flo



Code: 208

- Poly-Flo Dog Bone
- Restraint / solid
- machined
- **simultaneous + cascade welding**
- PE 100-RC black

Dimension	Code	Detail	Weight
90/63	70.208.9063.71	90/63 SDR17/11	0.52

	Unit	Nominale	Tol+	Tol-
L	mm	136	3.00	3.00
L1	mm	10	1.50	1.50
L3	mm	28	1.50	1.50
L2	mm	40	1.50	1.50
d1	mm	90	1.35	0.00
d3	mm	105	1.50	1.50
s2	mm	5,8	0.70	0.00
d2	mm	63	0.90	0.00
s1	mm	5,4	0.70	0.00