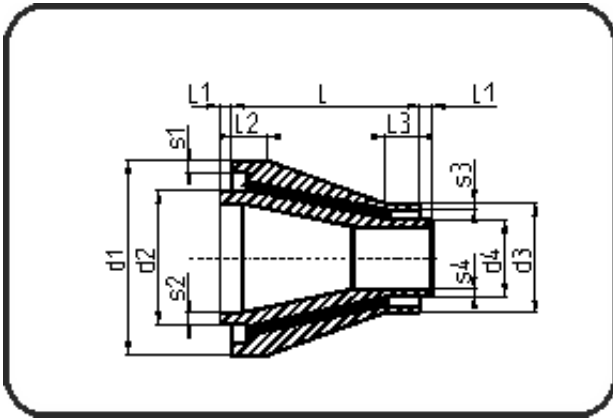


## PE 100-RC Poly-Flo



Code: 198

- Poly-Flo Reducer
- concentric
- machined
- **simultaneous + cascade welding**
- PE 100-RC black

Dimension	Code	Detail	Weight
160/110	70.198.1611.71	225/160-160/110 SDR17/11	3.60

	Unit	Nominale	Tol+	Tol-
L	mm	185	3.00	3.00
L1	mm	10	1.50	1.50
L3	mm	29	3.00	3.00
L2	mm	30	3.00	3.00
d1	mm	225	3.15	0.00
d3	mm	160	2.25	0.00
s2	mm	14,6	1.60	0.00
d2	mm	160	2.25	0.00
s1	mm	13,4	1.50	0.00
s4	mm	10	1.10	0.00
d4	mm	110	1.50	0.00
s3	mm	9,1	1.10	0.00