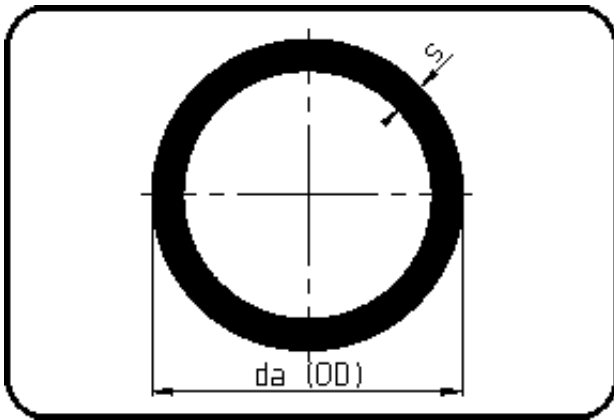


Pipes



Code: 705

- Pipe 5m
- flame retardant
- extruded
- PPs grey

Dim. 140 - 160 SDR11 Discontinued products.

Dimension	Code	Detail	Weight
315	17.705.0315.00	315X5,0 Ventilation	4.91

	Unit	Nominale	Tol+	Tol-
da(OD)	mm	315	2.90	0.00
s	mm	5	0.60	0.00