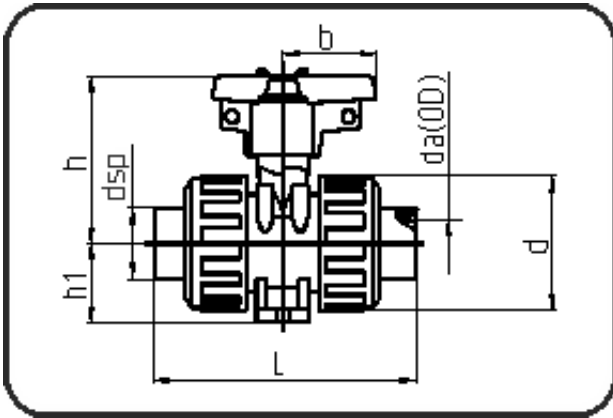


## Valves



Code: 363.13

- **Ball Valve M1**
- FPM-sealing
- injection moulded
- **Socket-welding**
- **PE 100 blue**

Dimension	Code	Detail	Weight
63	22.363.1363.07	63 - MOP 16 bar	1.26

	Unit	Nominale	Tol+	Tol-
da(OD)	mm	63	0.00	0.00
L	mm	194,5	1.50	1.50
h1	mm	64,5	1.00	1.00
b	mm	85	0.75	0.75
dsp	mm	73,6	1.00	1.00
d	mm	127,5	0.75	0.75
t	mm	29	0.50	0.50
h	mm	113,5	0.75	0.75