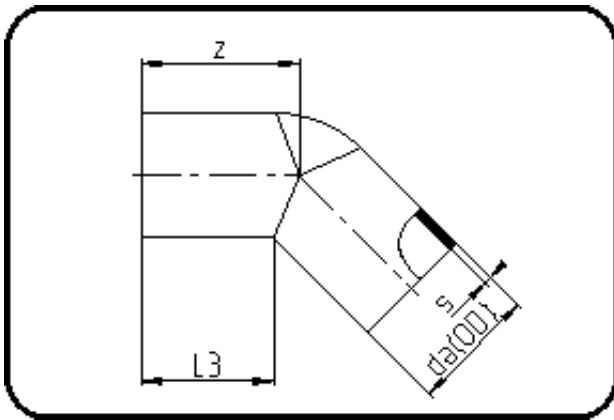


## Elongated Fittings



Code: 060

- Elbow 45°
- long spigot
- injection moulded
- **Butt + E-socket-welding**
- PPR grey

Dimension	Code	Detail	Weight
200	11.060.0200.17	200X11,9 SDR17 ISO S-8	2.34

	Unit	Nominale	Tol+	Tol-
da(OD)	mm	200	1.80	0.00
L3	mm	132,5	2.25	2.25
s	mm	11,9	1.30	0.00
z	mm	175	2.25	2.25