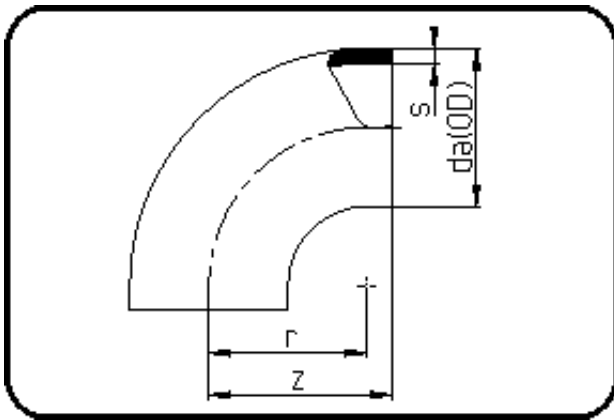


## Fittings with short Spigot



Code: 001

- Bend 90°
- short spigot
- flame retardant & el-conduct.
- injection moulded
- **Butt-welding**
- **PPs-el black**

Dimension	Code	Detail	Weight
160	19.001.0160.33	160X4,9 SDR33 MOP<1,5bar	0.97

	Unit	Nominale	Tol+	Tol-
da(OD)	mm	160	1.50	0.00
r	mm	155	0.00	0.00
s	mm	4,9	0.60	0.00
z	mm	180	4.50	4.50