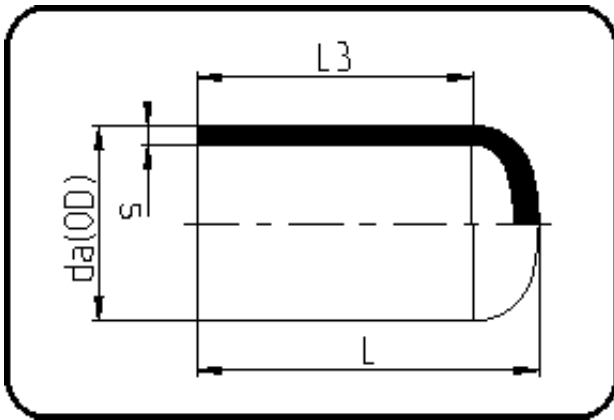


## Fittings



Code: 064

- End Cap
- long spigot
- injection moulded
- **Butt + IR + HPF-welding**
- PVDF natural

Dimension	Code	Detail	Weight
20	30.064.0020.21	20X1,9 SDR21 ISO S-10	0.01

	Unit	Nominale	Tol+	Tol-
da(OD)	mm	20	0.30	0.00
L	mm	48	1.50	1.50
L3	mm	41	1.50	1.50
s	mm	1,9	0.40	0.00