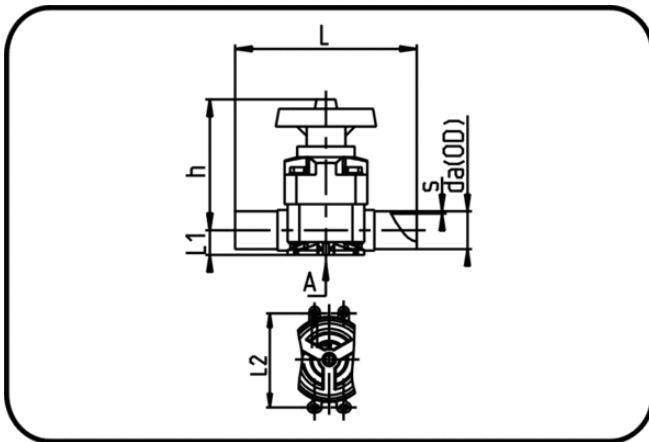


Valves



Code: 342.14

- Diaphragm Valve
- manually controlled
- EPDM diaphragm
- Butt + IR-welding
- PP grey

Dimension	Code	Detail	da(OD) mm	s mm	L mm	L2 mm	h mm	Weight
20	11.342.1420.11	20 - SDR11 ISO S-5	20	1,9	133	24,5	100	0.44
25	11.342.1425.11	25 - SDR11 ISO S-5	25	2,7	144	24,5	100	0.44
32	11.342.1432.11	32 - SDR11 ISO S-5	32	2,9	154	24,5	107	0.63
40	11.342.1440.11	40 - SDR11 ISO S-5	40	3,7	193	44	144	1.40
50	11.342.1450.11	50 - SDR11 ISO S-5	50	4,6	194	44	144	1.46
63	11.342.1463.11	63 - SDR11 ISO S-5	63	5,8	224	44	170	2.25
75	11.342.1475.11	75 - SDR11 ISO S-5	75	6,8	284	230	254	4.98
90	11.342.1490.11	90 - SDR11 ISO S-5	90	8,2	300	230	254	5.20
110	11.342.1411.11	110 - SDR11 ISO S-5	110	10	340	280	320	10.00