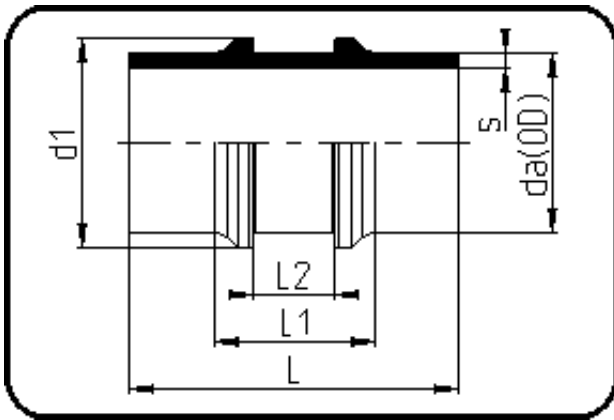


## Fittings



Code: 028

- Restrained Fitting
- injection moulded
- Butt + IR + HPF-welding
- PVDF natural

Dimension	Code	Detail	Weight
90	30.028.0090.33	90X2,8 SDR33 ISO S-16	0.33

	Unit	Nominale	Tol+	Tol-
da(OD)	mm	90	0.40	0.00
L	mm	150	1.50	1.50
L1	mm	75	0.75	0.75
L2	mm	40,5	0.75	0.00
s	mm	2,8	0.50	0.00
d1	mm	104	0.00	0.75
da	inch	3	0.00	0.00