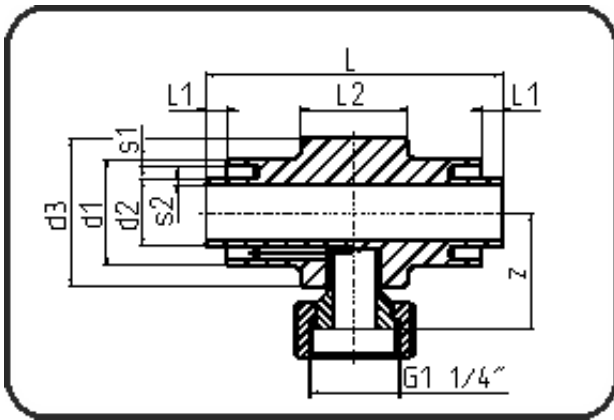


PE 100-RC Poly-Flo



Code: 196

- Poly-Flo Measuring Fitting
- one side leakage control
- machined
- **simultaneous + cascade welding**
- PE 100-RC black

Dimension	Code	Detail	Weight
225/160	70.196.2216.37	225/160 SDR33/17	2.60

	Unit	Nominale	Tol+	Tol-
L	mm	140	4.50	4.50
L1	mm	10	1.50	1.50
L2	mm	50	3.00	3.00
d1	mm	225	3.15	0.00
d3	mm	225	1.50	0.00
s2	mm	9,5	1.10	0.00
d2	mm	160	2.25	0.00
s1	mm	6,9	0.80	0.00
z	mm	132,5	7.50	7.50