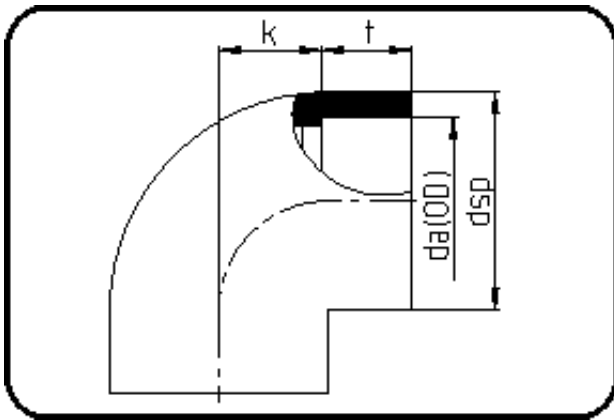


## Fittings for Socket Welding



Code: 051

- Elbow 90°
- injection moulded
- **Socket-welding**
- PPR grey

Dimension	Code	Detail	Weight
50	11.051.0050.07	50 - MOP 20 bar	0.14

	Unit	Nominale	Tol+	Tol-
da(OD)	mm	50	0.00	0.00
dsp	mm	65	0.75	0.75
t	mm	25	1.50	1.50
p	bar	10	0.00	0.00
k	mm	28	0.75	0.75