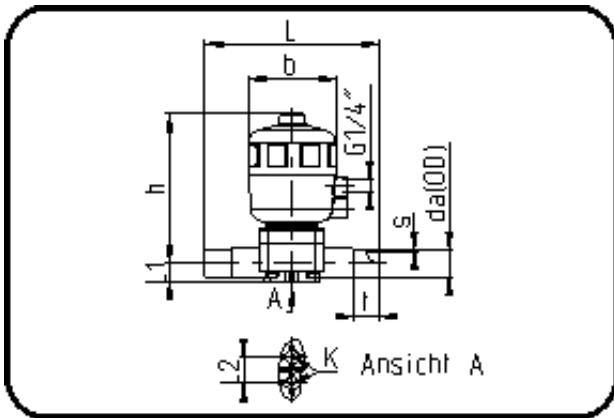


## Valves



Code: 341.0

- Diaphragm Valve Pneumatic
- closed by resilience
- EPDM/PTFE diaphragm
- **Butt + IR + HPF-welding**
- **PVDF UHP natural**

Dimension	Code	Detail	Weight
40	35.341.0040.21	40 - SDR21 MOP 10 bar	5.56

	Unit	Nominale	Tol+	Tol-
da(OD)	mm	40	0.40	0.00
L	mm	193	3.00	3.00
L1	mm	25,5	0.75	0.75
L2	mm	44	0.75	0.75
b	mm	153	1.50	1.50
DN	mm	32	0.00	0.00
s	mm	2,4	0.50	0.00
t	mm	44	1.50	1.50
Kv- l	min	450	0.00	0.00
h	mm	273	4.50	4.50
K	mm	M8	0.00	0.00
da	inch	1,25	0.00	0.00