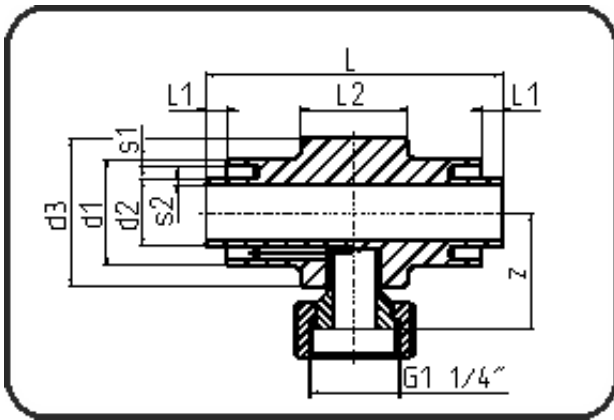


PPR Poly-Flo



Code: 196

- Poly-Flo Measuring Fitting
- one side leakage control
- machined
- **simultaneous + cascade welding**
- PPR grey

Dimension	Code	Detail	Weight
90/63	11.196.9063.71	90/63 SDR17/11	0.57

	Unit	Nominale	Tol+	Tol-
L	mm	140	4.50	4.50
L1	mm	10	1.50	1.50
L2	mm	50	3.00	3.00
d1	mm	90	1.35	0.00
d3	mm	102	1.50	0.00
s2	mm	5,8	0.70	0.00
d2	mm	63	0.90	0.00
s1	mm	5,4	0.70	0.00
z	mm	71	7.50	7.50