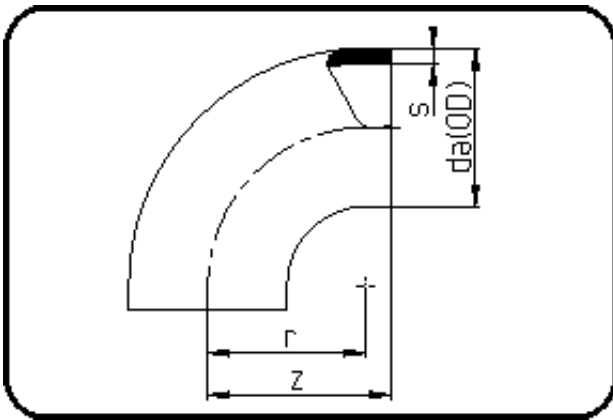


Fittings



Code: 001

- **Bend 90°**
- short spigot
- injection moulded
- **Butt + IR-welding**
- **PVDF natural**

Dimension	Code	Detail	Weight
180	30.001.0180.33	180X5,5 SDR33 ISO S-16	1.92

	Unit	Nominale	Tol+	Tol-
da(OD)	mm	180	1.10	0.00
r	mm	175	0.00	0.00
s	mm	5,5	0.80	0.00
z	mm	200	3.00	3.00