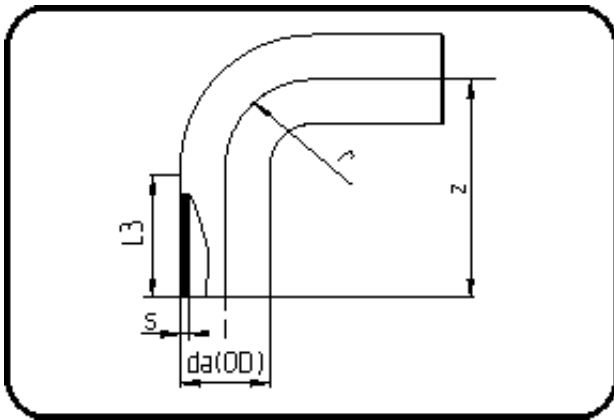


## MULTI Fittings



Code: 068

- **MULTI-Bend 90°**
- long spigot
- injection moulded
- **Butt + E-socket-welding**
- **PPR grey**

Dimension	Code	Detail	Weight
200	11.068.0200.17	200X11,9 SDR17 ISO S-8	4.03

	Unit	Nominale	Tol+	Tol-
da(OD)	mm	200	1.80	0.00
L3	mm	118,5	6.00	6.00
r	mm	200	0.00	0.00
s	mm	11,9	1.30	0.00
z	mm	318,5	7.50	7.50