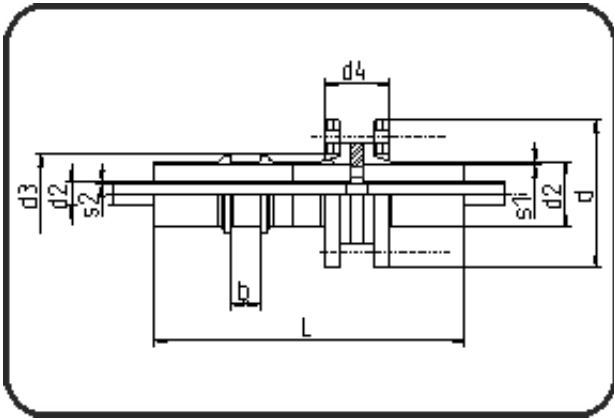


## PE/PVDF Staggered Welding



Code: 249

- Dog Bone Type III, Collar
- with cut out
- machined
- Staggered + E-socket-welding
- HDPE/PVDF

| Dimension | Code           | Detail         | Weight |
|-----------|----------------|----------------|--------|
| 90/32     | 84.249.9032.72 | 90/32 SDR17/21 | 4.05   |

|      | Unit | Nominale | Tol+  | Tol-  |
|------|------|----------|-------|-------|
| L    | mm   | 430      | 3.00  | 3.00  |
| SDR2 |      | 21       | 0.00  | 0.00  |
| SDR1 |      | 17       | 0.00  | 0.00  |
| s2   | mm   | 2,4      | 0.50  | 0.00  |
| s1   | mm   | 5,4      | 0.80  | 0.00  |
| b    | mm   | 40       | 43.00 | 40.00 |
| numb | pc   | 8        | 0.00  | 0.00  |
| d    | mm   | 202      | 1.50  | 1.50  |
| d1   | mm   | 90       | 1.35  | 0.00  |
| d3   | mm   | 108      | 1.50  | 0.00  |
| d2   | mm   | 32       | 0.45  | 0.00  |
| K    | mm   | M16      | 0.00  | 0.00  |
| d4   | mm   | 94       | 0.00  | 0.00  |