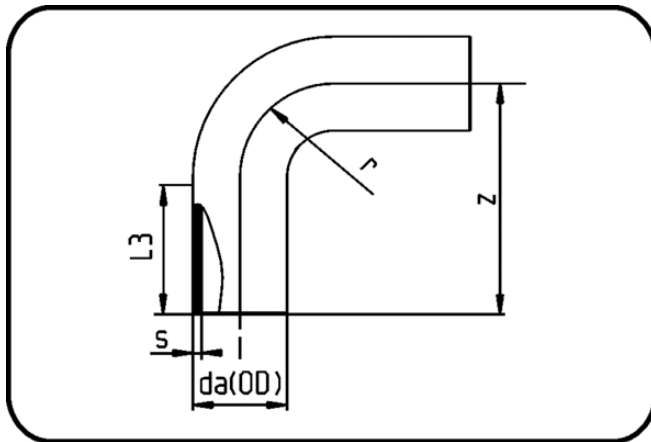


## MULTI Fittings



Code: 068

- **MULTI-Bend 90°**
- long spigot
- injection moulded
- **Butt + IR-welding**
- **PVDF natural**

Dimension	Code	Detail	da(OD) mm	s mm	z mm	r mm	L3 mm	Weight
90	30.068.0090.33	90X2,8 SDR33 ISO S-16	90	2,8	123	90	34	0.38
110	30.068.0110.33	110X3,4 SDR33 ISO S-16	110	3,4	142	110	34	0.66
140	30.068.0140.33	140X4,3 SDR33 ISO S-16	140	4,3	216	140	75	1.39
160	30.068.0160.33	160X4,9 SDR33 ISO S-16	160	4,9	236	160	75	1.96
225	30.068.0225.33	225X6,9 SDR33 ISO S-16	225	6,9	301	225	75	5.19
20	30.068.0020.21	20X1,9 SDR21 ISO S-10	20	1,9	51	20	32	0.02
25	30.068.0025.21	25X1,9 SDR21 ISO S-10	25	1,9	56	25	33	0.03
32	30.068.0032.21	32X2,4 SDR21 ISO S-10	32	2,4	63	32	33	0.05
40	30.068.0040.21	40X2,4 SDR21 ISO S-10	40	2,4	73	40	36	0.08
50	30.068.0050.21	50X3,0 SDR21 ISO S-10	50	3	84	50	36	0.13
63	30.068.0063.21	63X3,0 SDR21 ISO S-10	63	3	97	63	38	0.20
75	30.068.0075.21	75X3,6 SDR21 ISO S-10	75	3,6	100	75	28	0.30
90	30.068.0090.21	90X4,3 SDR21 ISO S-10	90	4,3	123	90	34	0.52
110	30.068.0110.21	110X5,3 SDR21 ISO S-10	110	5,3	142	110	34	0.92
140	30.068.0140.21	140X6,7 SDR21 ISO S-10	140	6,7	216	140	75	2.01
160	30.068.0160.21	160X7,7 SDR21 ISO S-10	160	7,7	236	160	75	2.93
225	30.068.0225.21	225X10,8 SDR21 ISO S-10	225	10,8	301	225	75	7.37