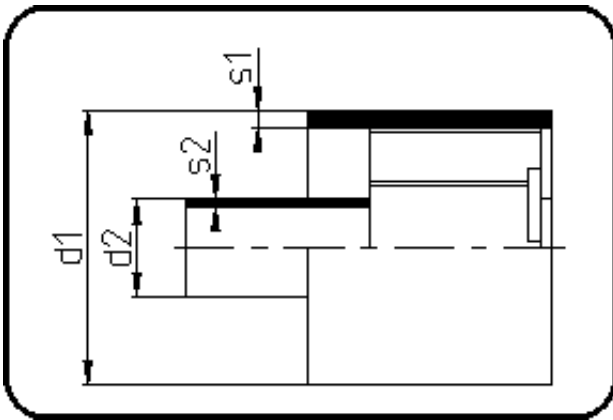


PE/PVDF Staggered Welding



Code: 795

- Double Containment Pipe 5m
- extruded+assembled
- Staggered + E-socket-welding
- HDPE/PVDF

Dimension	Code	Detail	Weight
280/160	84.795.2816.73	280/160 SDR17/33	17.74

	Unit	Nominale	Tol+	Tol-
d1	mm	280	0.00	0.00
SDR2		33	0.00	0.00
SDR1		17,6	0.00	0.00
s2	mm	4,9	0.00	0.00
d2	mm	160	0.00	0.00
s1	mm	16,6	0.00	0.00