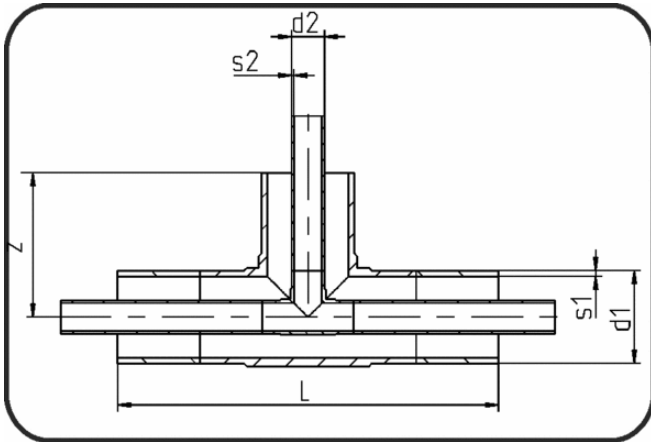


PE/PVDF Staggered Welding



Code: 206

- Tee
- injection moulded+assembled
- **Staggered + E-socket-welding**
- HDPE/PVDF

Dimension	Code	Detail	z mm	L mm	s1 mm	s2 mm	d1 mm	d2 mm	Weight
90/32	84.206.9032.72	90/32 SDR17/21	140	402	5,4	2,4	90	32	0.65
125/63	84.206.1263.72	125/63 SDR17/21	174	445	7,4	3	125	63	2.80
160/90	84.206.1690.73	160/90 SDR17/33	204,5	510	9,5	2,8	160	90	4.90
200/110	84.206.2011.73	200/110 SDR17/33	246	618	11,9	3,4	200	110	5.93
280/160	84.206.2816.73	280/160 SDR17/33	347	758	16,6	4,9	280	160	13.86