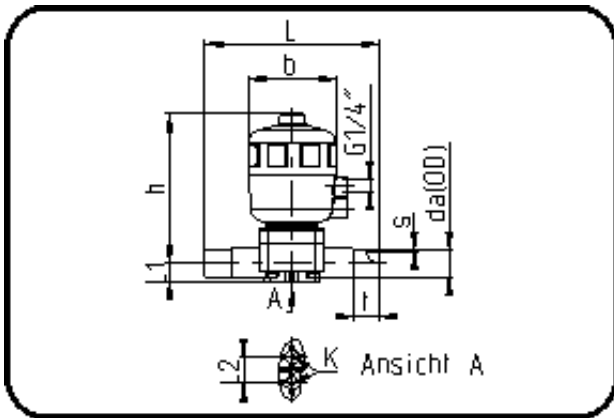


## Valves



Code: 341.0

- Diaphragm Valve Pneumatic
- closed by resilience
- EPDM/PTFE diaphragm
- **Butt + IR-welding**
- **ECTFE natural**

| Dimension | Code           | Detail                | Weight |
|-----------|----------------|-----------------------|--------|
| 20        | 40.341.0020.21 | 20 - SDR21 MOP 10 bar | 1.45   |

|        | Unit | Nominale | Tol+ | Tol- |
|--------|------|----------|------|------|
| da(OD) | mm   | 20       | 0.30 | 0.00 |
| L      | mm   | 133      | 3.00 | 3.00 |
| L1     | mm   | 16,5     | 0.75 | 0.75 |
| L2     | mm   | 24,5     | 0.75 | 0.75 |
| b      | mm   | 101      | 1.50 | 1.50 |
| DN     | mm   | 15       | 0.00 | 0.00 |
| s      | mm   | 1,9      | 0.40 | 0.00 |
| t      | mm   | 36       | 1.50 | 1.50 |
| Kv- l  | min  | 72       | 0.00 | 0.00 |
| h      | mm   | 170      | 4.50 | 4.50 |
| K      | mm   | M6       | 0.00 | 0.00 |
| da     | inch | 0,5      | 0.00 | 0.00 |