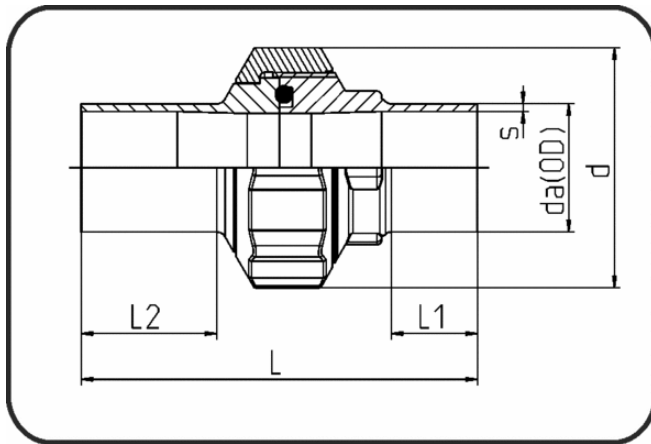


Fittings



Code: 024.5

- Union Type 24-A
- FPM-sealing
- injection moulded
- **Butt + IR + HPF-welding**
- **PVDF natural**

Dimension	Code	Detail	da(OD) mm	s mm	L mm	L1 mm	L2 mm	d mm	Weight
20	30.024.5020.21	20X1,9 SDR21 ISO S-10	20	1,9	108	27	38	43	0.06
25	30.024.5025.21	25X1,9 SDR21 ISO S-10	25	1,9	111	27	40	53	0.10
32	30.024.5032.21	32X2,4 SDR21 ISO S-10	32	2,4	120	27	44	60	0.13
40	30.024.5040.21	40X2,4 SDR21 ISO S-10	40	2,4	124	27	47	75	0.22
50	30.024.5050.21	50X3,0 SDR21 ISO S-10	50	3	132	27	47	82	0.30
63	30.024.5063.21	63X3,0 SDR21 ISO S-10	63	3	137	27	47	100	0.43