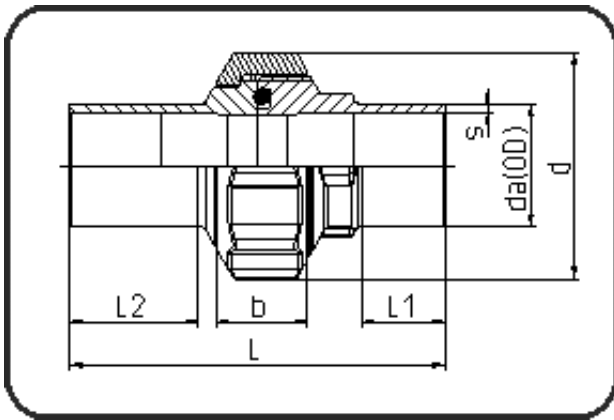


Fittings



Code: 024.5

- Union Type 24-A
- FPM-sealing
- injection moulded
- **Butt + IR + HPF-welding**
- PVDF natural

Dimension	Code	Detail	Weight
25	30.024.5025.21	25X1,9 SDR21 ISO S-10	0.10

	Unit	Nominale	Tol+	Tol-
da(OD)	mm	25	0.00	0.00
L	mm	111	3.00	3.00
L1	mm	27	2.25	2.25
L2	mm	40	2.25	2.25
b	mm	25	1.50	1.50
s	mm	1,9	0.00	0.00
d	mm	53	0.00	0.00