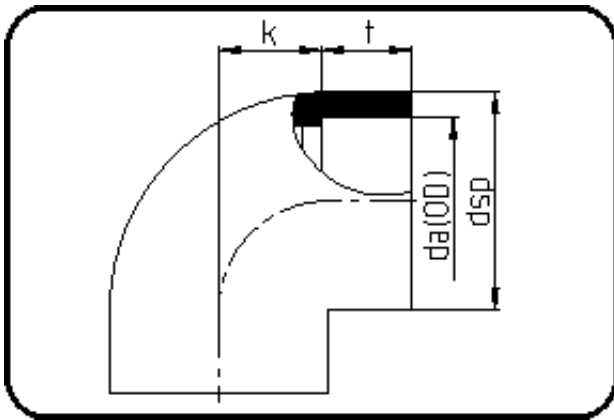


Fittings



Code: 051

- Elbow 90°
- injection moulded
- Socket-welding
- PE 100 blue

Dimension	Code	Detail	Weight
110	22.051.0110.07	110 - MOP 16 bar	0.82

	Unit	Nominale	Tol+	Tol-
da(OD)	mm	110	0.00	0.00
dsp	mm	133	1.50	1.50
t	mm	43	2.25	2.25
p	bar	16	0.00	0.00
k	mm	57	0.75	0.75