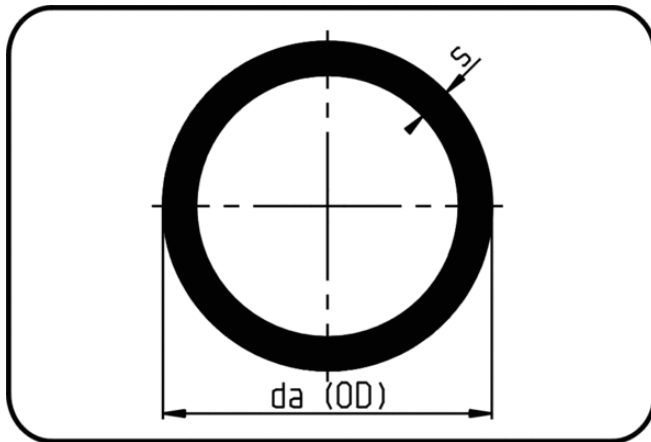


Pipes



Code: 705

- Pipe 5m
- flame retardant & el-conduct.
- extruded
- PPs-el black

Dimension	Code	Detail	da(OD) mm	s mm	Weight
110	19.705.0110.00	110X3,0 Ventilation	110	3	1.28
160	19.705.0160.00	160X3,0 Ventilation	160	3	1.87
180	19.705.0180.00	180X3,0 Ventilation	180	3	2.11
200	19.705.0200.00	200X3,0 Ventilation	200	3	2.35
225	19.705.0225.00	225X3,5 Ventilation	225	3,5	3.09
250	19.705.0250.00	250X3,5 Ventilation	250	3,5	3.44
315	19.705.0315.00	315X5,0 Ventilation	315	5	6.09
355	19.705.0355.00	355X5,0 Ventilation	355	5	6.88
400	19.705.0400.00	400X6,0 Ventilation	400	6	9.26
90	19.705.0090.33	90X2,8 SDR33 MOP<1,5bar	90	2,8	0.98
110	19.705.0110.33	110X3,4 SDR33 MOP<1,5bar	110	3,4	1.45
160	19.705.0160.33	160X4,9 SDR33 MOP<1,5bar	160	4,9	2.99
200	19.705.0200.33	200X6,2 SDR33 MOP<1,5bar	200	6,2	4.73
225	19.705.0225.33	225X6,9 SDR33 MOP<1,5bar	225	6,9	5.88
315	19.705.0315.33	315X9,7 SDR33 MOP<1,5bar	315	9,7	11.50
110	19.705.0110.17	110X6,3 SDR17,6 MOP<3,5bar	110	6,3	2.56
160	19.705.0160.17	160X9,1 SDR17,6 MOP<3,5bar	160	9,1	5.36
200	19.705.0200.17	200X11,4 SDR17,6 MOP<3,5bar	200	11,4	8.36
32	19.705.0032.11	32X2,9 SDR11 MOP<6bar	32	2,9	0.33
50	19.705.0050.11	50X4,6 SDR11 MOP<6bar	50	4,6	0.82
63	19.705.0063.11	63X5,8 SDR11 MOP<6bar	63	5,8	1.29
75	19.705.0075.11	75X6,8 SDR11 MOP<6bar	75	6,8	1.81
90	19.705.0090.11	90X8,2 SDR11 MOP<6bar	90	8,2	2.61
110	19.705.0110.11	110X10,0 SDR11 MOP<6bar	110	10	3.87