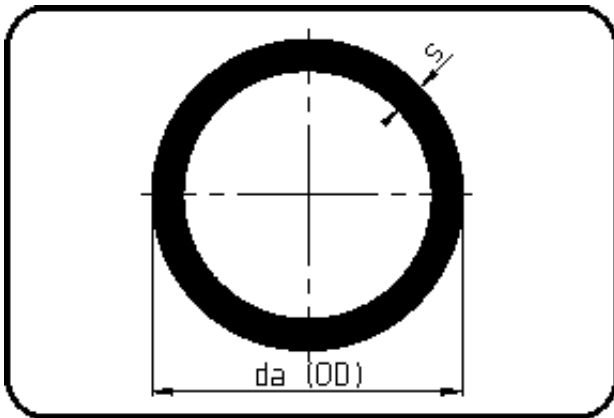


## Pipes



Code: 705

- Pipe 5m
- flame retardant & el-conduct.
- extruded
- **PPs-el black**

Dimension	Code	Detail	Weight
110	19.705.0110.11	110X10,0 SDR11 MOP<6bar	3.87

	Unit	Nominale	Tol+	Tol-
da(OD)	mm	110	1.00	0.00
s	mm	10	1.10	0.00