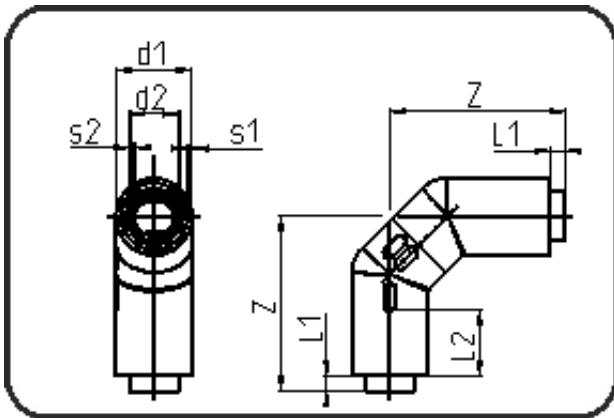


PPR Poly-Flo



Code: 212

- Poly-Flo Elbow 90°
- from 2 Elbows 45°
- injection moulded+welded
- **simultaneous + cascade welding**
- PPR grey

Dimension	Code	Detail	Weight
160/110	11.212.1611.71	160/110 SDR17/11	3.20

	Unit	Nominale	Tol+	Tol-
L1	mm	10	2.25	2.25
L2	mm	73	3.00	3.00
d1	mm	160	2.25	0.00
s2	mm	10	1.10	0.00
d2	mm	110	1.50	0.00
s1	mm	9,5	1.10	0.00
z	mm	246	6.00	6.00