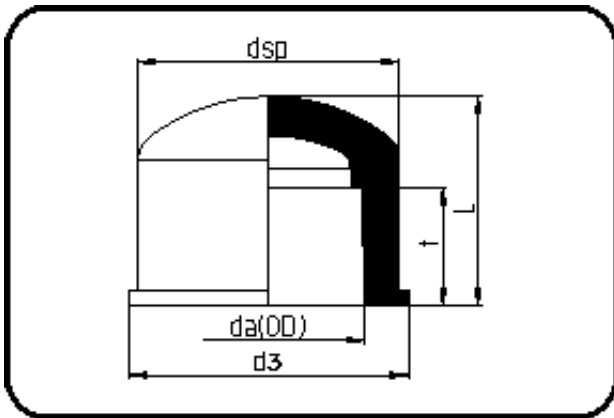


## Fittings for Socket Welding



Code: 054

- End Cap
- injection moulded
- Socket-welding
- PVDF natural

Dimension	Code	Detail	Weight
25	30.054.0025.07	25 - MOP 20 bar	0.03

	Unit	Nominale	Tol+	Tol-
da(OD)	mm	25	0.00	0.00
L	mm	30	2.25	2.25
dsp	mm	35	1.50	1.50
t	mm	17,5	0.75	0.75
d3	mm	37	2.25	2.25
p	bar	20	0.00	0.00