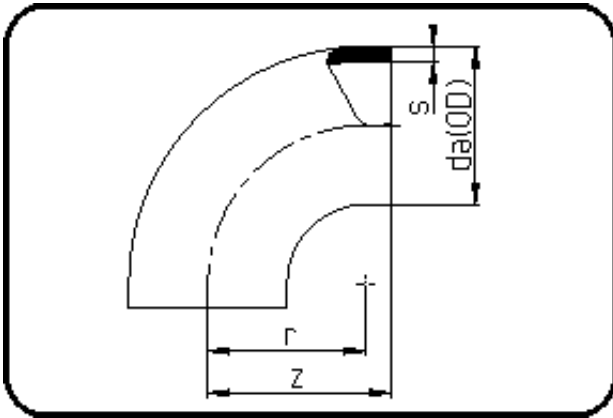


Fittings with short Spigot



Code: 001

- Bend 90°
- short spigot
- flame retardant & el-conduct.
- injection moulded
- **Butt-welding**
- **PPs-el black**

Dimension	Code	Detail	Weight
200	19.001.0200.17	200X11,9 SDR17 MOP<3,5bar	3.09

	Unit	Nominale	Tol+	Tol-
da(OD)	mm	200	1.80	0.00
r	mm	200	0.00	0.00
s	mm	11,9	1.30	0.00
z	mm	220	4.50	4.50