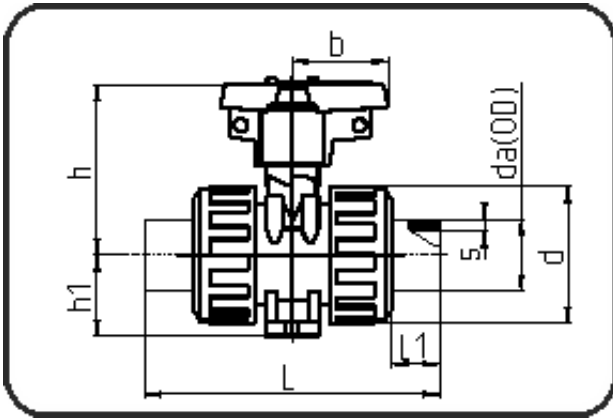


Valves



Code: 363.15

- Ball Valve M1
- FPM-sealing
- injection moulded
- **Butt + IR-welding**
- PVDF natural

Dimension	Code	Detail	Weight
50	30.363.1550.21	50 - SDR21 ISO S-10	1.42

	Unit	Nominale	Tol+	Tol-
da(OD)	mm	50	0.40	0.00
L	mm	190	1.50	1.50
L1	mm	23	0.75	0.75
h1	mm	56,5	1.00	1.00
b	mm	73	0.00	0.00
DN	mm	40	0.00	0.00
s	mm	3	0.60	0.00
d	mm	105,5	0.75	0.75
p	bar	16	0.00	0.00
h	mm	113	0.75	0.75