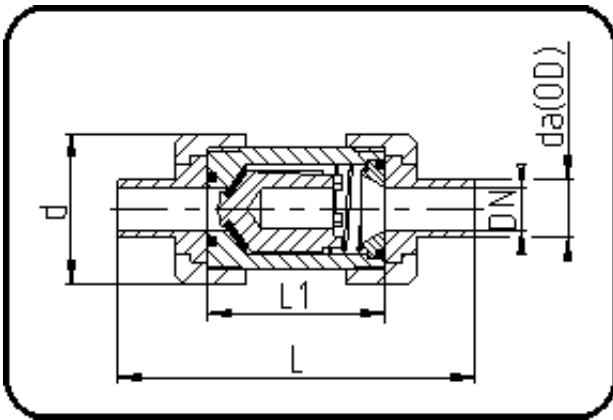


Valves



Code: 336.15

- Check Valve with Spring
- FPM-sealing
- injection moulded
- **Butt + IR-welding**
- PVDF natural

Dimension	Code	Detail	Weight
32	30.336.1532.21	32 - SDR21 ISO S-10	0.42

	Unit	Nominale	Tol+	Tol-
da(OD)	mm	32	0.30	0.00
L	mm	151	7.50	7.50
L1	mm	73	0.50	0.50
DN	mm	25	0.00	0.00
s	mm	2,4	0.50	0.00
d	mm	69	0.75	0.75
da	inch	1	0.00	0.00