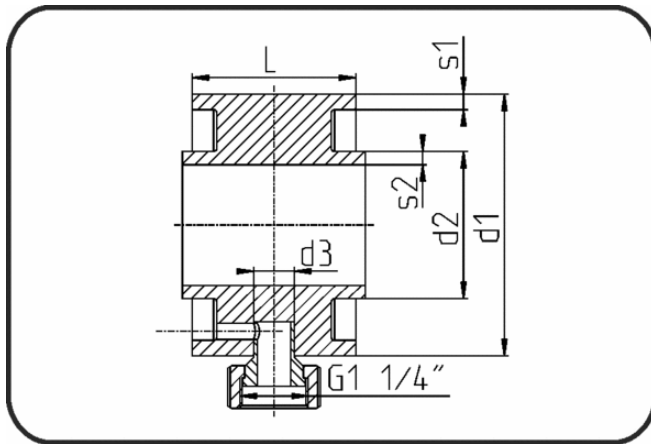


PE/PE Simultaneous Welding



Code: 140

- Dog Bone with Connection
- for leakage control
- machined
- **Simultaneous-welding**
- **PE 100-RC/PE 100-RC**

Dimension	Code	Detail	L mm	s1 mm	s2 mm	d1 mm	d2 mm	d3 mm	Weight
160/90	82.140.1690.37	160/90 SDR33/17	100	4,9	5,4	160	90	24	1.82
160/90	82.140.1690.31	160/90 SDR33/11	100	4,9	8,2	160	90	24	1.90
315/200	82.140.3120.31	315/200 SDR33/11	100	9,7	18,2	315	200	24	5.02
355/250	82.140.3525.31	355/250 SDR33/11	100	10,9	22,8	355	250	24	6.00