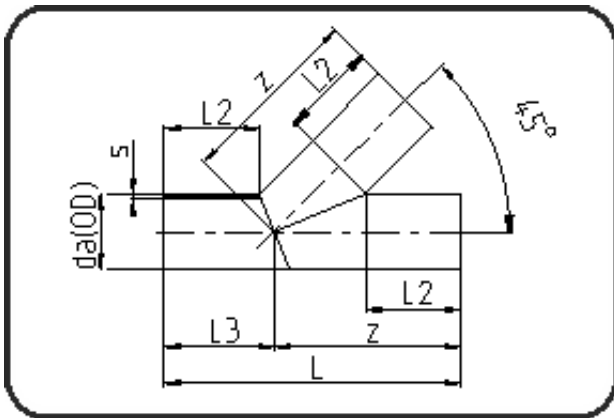


## Segmented Fittings



Code: 325

- Tee 45°
- segmented
- derating factor 0.5
- **Butt + E-socket-welding**
- PPH grey

Dimension	Code	Detail	Weight
400	12.325.0400.17	400X22,7 SDR17,6 ISO S-8,3	53.90

	Unit	Nominale	Tol+	Tol-
da(OD)	mm	400	0.00	0.00
L	mm	1.266	30.00	30.00
L3	mm	433	0.00	0.00
L2	mm	350	0.00	0.00
s	mm	22,7	0.00	0.00
z	mm	833	30.00	30.00