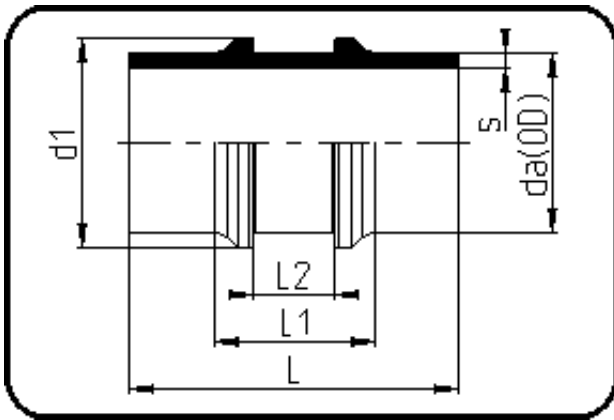


## Fittings



Code: 028

- **Restrained Fitting**
- injection moulded
- **Butt + IR + HPF-welding**
- **PVDF natural**

Dimension	Code	Detail	Weight
110	30.028.0110.21	110X5,3 SDR21 ISO S-10	0.63

	Unit	Nominale	Tol+	Tol-
da(OD)	mm	110	0.50	0.00
L	mm	150	1.50	1.50
L1	mm	77	0.75	0.75
L2	mm	41	0.75	0.00
s	mm	5,3	0.80	0.00
d1	mm	126	0.00	0.75
da	inch	4	0.00	0.00