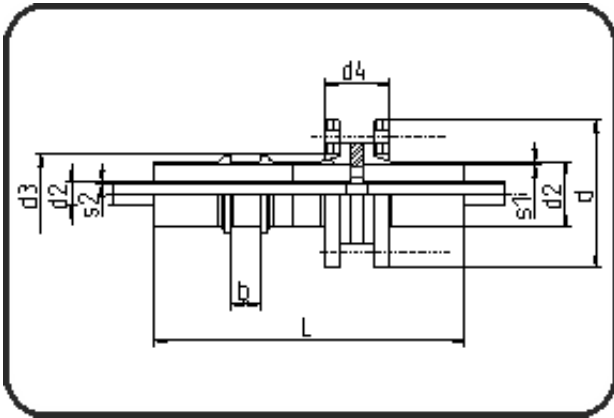


PE/PVDF Staggered Welding



Code: 249

- Dog Bone Type III, Collar
- with cut out
- machined
- Staggered + E-socket-welding
- HDPE/PVDF

Dimension	Code	Detail	Weight
280/160	84.249.2816.73	280/160 SDR17/33	24.07

	Unit	Nominale	Tol+	Tol-
L	mm	666	3.00	3.00
SDR2		33	0.00	0.00
SDR1		17	0.00	0.00
s2	mm	4,9	0.70	0.00
s1	mm	16,6	1.90	0.00
b	mm	65	68.00	65.00
numb	pc	12	0.00	0.00
d	mm	409	1.50	1.50
d1	mm	280	3.90	0.00
d3	mm	294	1.50	0.00
d2	mm	160	2.25	0.00
K	mm	M20	0.00	0.00
d4	mm	130	0.00	0.00