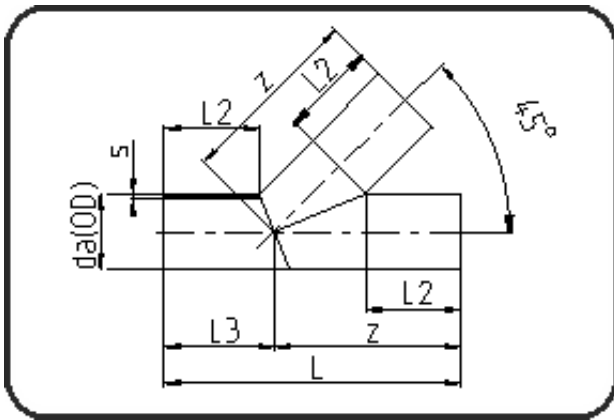


Segmented Fittings



Code: 325

- Tee 45°
- segmented
- derating factor 0.5
- **Butt + E-socket-welding**
- PPH grey

Dimension	Code	Detail	Weight
280	12.325.0280.11	280X25,4 SDR11 ISO S-5	27.20

	Unit	Nominale	Tol+	Tol-
da(OD)	mm	280	0.00	0.00
L	mm	996	15.00	15.00
L3	mm	358	0.00	0.00
L2	mm	300	0.00	0.00
s	mm	25,4	0.00	0.00
z	mm	638	15.00	15.00