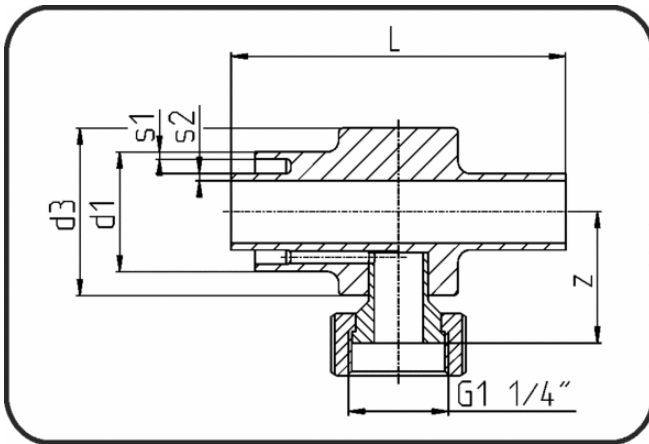


## PE 100-RC Poly-Flo



Code: 196.1

- Poly-Flo Measuring Fitting
- with transition to single tube
- machined
- **simultaneous + cascade welding**
- **PE 100-RC black**

Dimension	Code	Detail	d1 mm	d2 mm	s1 mm	s2 mm	L mm	z mm	Weight
50/32	70.196.5033.71	50/32 SDR17/11	50	32	3	3	140	55	0.26
90/63	70.196.9064.71	90/63 SDR17/11	90	63	5,4	5,8	140	71	0.53
160/110	70.196.1612.71	160/110 SDR17/11	160	110	9,5	10	140	100	1.30
160/110	70.196.1612.37	160/110 SDR33/17	160	110	4,9	6,6	140	100	1.10
225/160	70.196.2217.37	225/160 SDR33/17	225	160	6,9	9,5	140	132,5	2.08
225/160	70.196.2217.71	225/160 SDR17/11	225	160	13,4	14,6	140	132,5	2.45