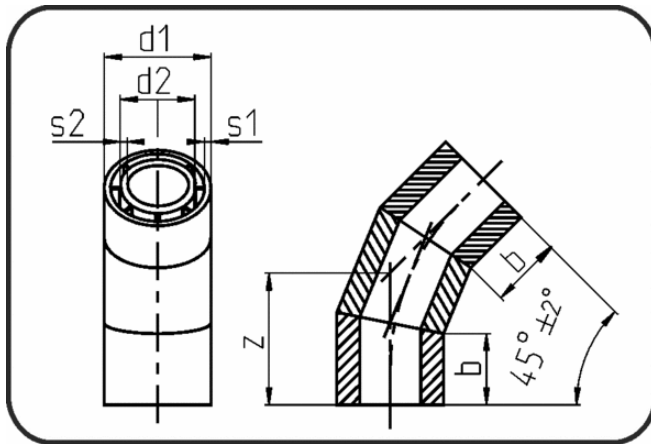


PE 100-RC Poly-Flo



Code: 213

- Poly-Flo Elbow 45°
- 3 segments
- derating factor 0.8
- segmented
- **simultaneous + cascade welding**
- **PE 100-RC black**

Dimension	Code	Detail	s1 mm	s2 mm	d1 mm	d2 mm	z mm	b mm	Weight
160/110	70.213.1611.37	160/110 SDR33/17	4,9	6,6	160	110	151	70	1.31
225/160	70.213.2216.37	225/160 SDR33/17	6,9	9,5	225	160	232	110	4.56
225/160	70.213.2216.71	225/160 SDR17/11	13,4	14,6	225	160	232	110	7.60