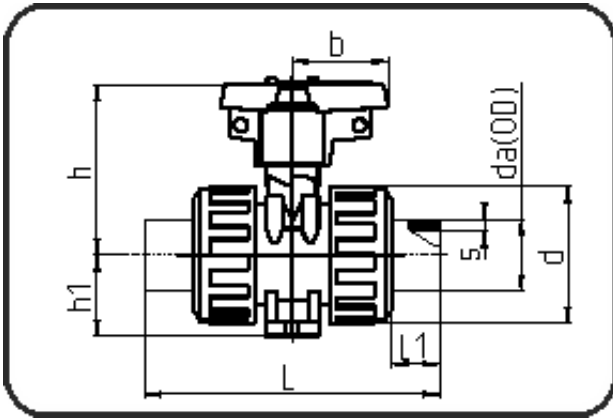


Valves



Code: 363.15

- Ball Valve M1
- FPM-sealing
- injection moulded
- **Butt + IR-welding**
- PVDF natural

Dimension	Code	Detail	Weight
20	30.363.1520.21	20 - SDR21 ISO S-10	0.30

	Unit	Nominale	Tol+	Tol-
da(OD)	mm	20	0.30	0.00
L	mm	124	1.50	1.50
L1	mm	14	0.75	0.75
h1	mm	33	1.00	1.00
b	mm	40	0.00	0.00
DN	mm	15	0.00	0.00
s	mm	1,9	0.40	0.00
d	mm	56,5	0.75	0.75
p	bar	16	0.00	0.00
h	mm	74,5	0.75	0.75