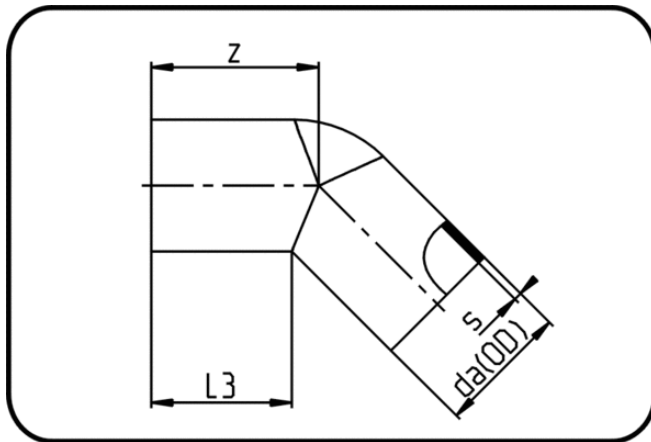


Fittings



Code: 060

- Elbow 45°
- long spigot
- injection moulded
- **Butt + IR-welding**
- ECTFE natural

Dimension	Code	Detail	da(OD) mm	s mm	z mm	L3 mm	Weight
20	40.060.0020.21	20X1,9 SDR21 ISO S-10	20	1,9	43	39	0.02
25	40.060.0025.21	25X1,9 SDR21 ISO S-10	25	1,9	45	40	0.02
32	40.060.0032.21	32X2,4 SDR21 ISO S-10	32	2,4	52	46	0.04
40	40.060.0040.21	40X2,4 SDR21 ISO S-10	40	2,4	52	46	0.07
50	40.060.0050.21	50X3,0 SDR21 ISO S-10	50	3	66	56	0.11
63	40.060.0063.21	63X3,0 SDR21 ISO S-10	63	3	75	62	0.17
75	40.060.0075.21	75X3,6 SDR21 ISO S-10	75	3,6	50	32	0.14
90	40.060.0090.21	90X4,3 SDR21 ISO S-10	90	4,3	59	36	0.23
110	40.060.0110.21	110X5,3 SDR21 ISO S-10	110	5,3	68	45	0.44
140	40.060.0140.21	140X6,7 SDR21 ISO S-10	140	6,7	85	57	1.29
160	40.060.0160.21	160X7,7 SDR21 ISO S-10	160	7,7	103	65	1.26