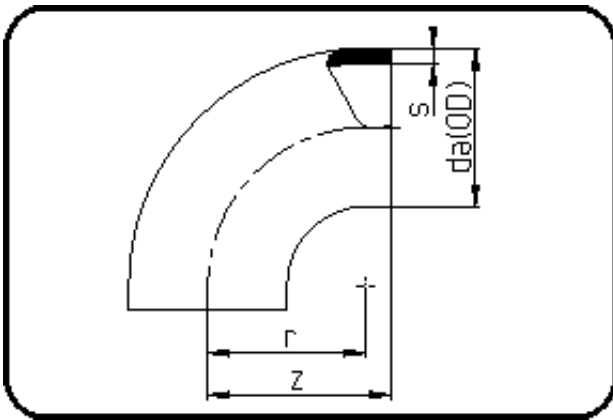


## Fittings with short Spigot



Code: 001

- Bend 90°
- short spigot
- flame retardant & el-conduct.
- injection moulded
- **Butt-welding**
- **PPs-el black**

Dimension	Code	Detail	Weight
90	19.001.0090.11	90X8,2 SDR11 MOP<6bar	0.44

	Unit	Nominale	Tol+	Tol-
da(OD)	mm	90	0.90	0.00
r	mm	90	0.00	0.00
s	mm	8,2	1.00	0.00
z	mm	100	3.00	3.00