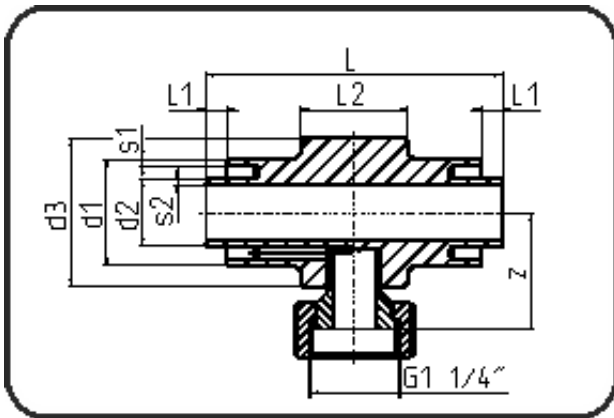


PE 100-RC Poly-Flo



Code: 196

- Poly-Flo Measuring Fitting
- one side leakage control
- machined
- **simultaneous + cascade welding**
- PE 100-RC black

Dimension	Code	Detail	Weight
160/110	70.196.1611.37	160/110 SDR33/17	1.34

	Unit	Nominale	Tol+	Tol-
L	mm	140	4.50	4.50
L1	mm	10	1.50	1.50
L2	mm	0	3.00	3.00
d1	mm	160	2.25	0.00
d3	mm	160	1.50	0.00
s2	mm	6,6	1.10	0.00
d2	mm	110	1.50	0.00
s1	mm	4,9	1.10	0.00
z	mm	100	7.50	7.50