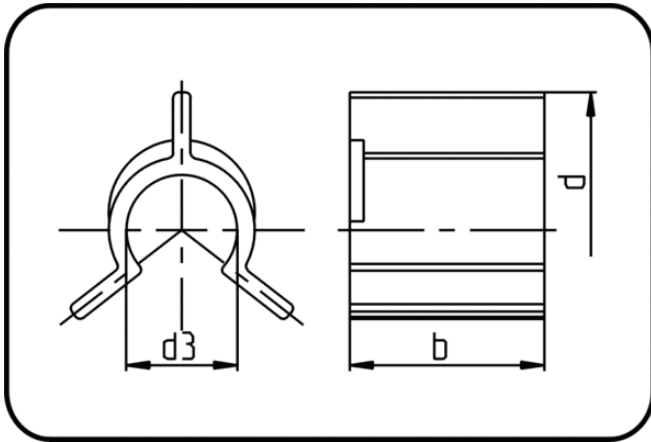


PE/PE Simultaneous Welding



Code: 099

- Spider Clip
- injection moulded
- Installation Accessory
- PE 100-RC/PE 100-RC

Dimension	Code	Detail	SDR1	d mm	d1 mm	d2 mm	d3 mm	b mm	Weight
160/90	82.099.1690.33	160/90 SDR33	33	148	160	90	90	55	0.08
315/200	82.099.3120.33	315/200 SDR33	33	286	315	200	202	55	0.20
355/250	82.099.3525.33	355/250 SDR33	33	329	355	250	252,5	55	0.25