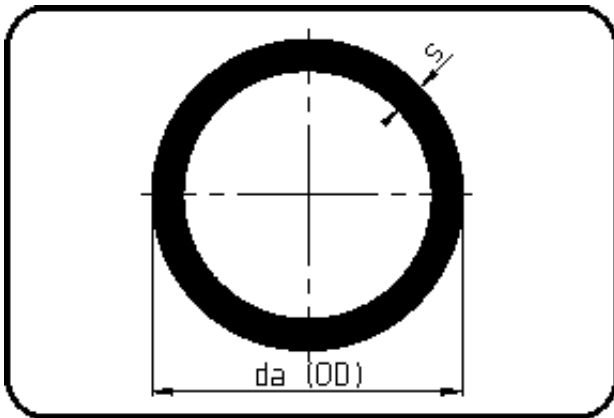


Pipes



Code: 12.705

- Pipe 5m
- extruded
- PPH grey

Dim. 20 - 160 SDR 7.4 Discontinued products.

Dimension	Code	Detail	Weight
180	12.705.0180.17	180X10,2 SDR17,6 ISO S-8,3	5.22

	Unit	Nominale	Tol+	Tol-
da(OD)	mm	180	1.70	0.00
s	mm	10,2	1.20	0.00