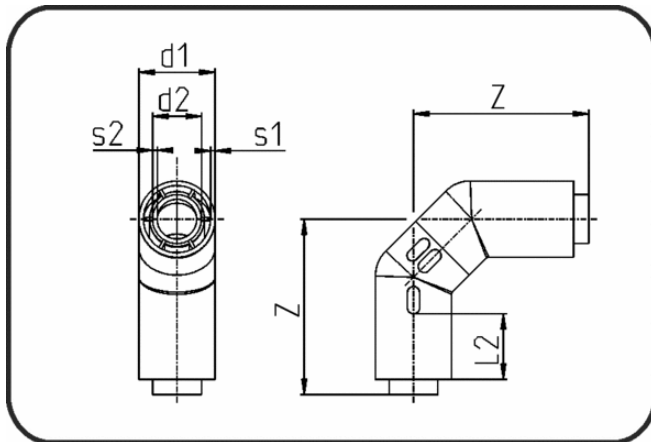


## PPR Poly-Flo



Code: 212

- Poly-Flo Elbow 90°
- from 2 Elbows 45°
- injection moulded+welded
- **simultaneous + cascade welding**
- PPR grey

Dimension	Code	Detail	s1 mm	s2 mm	d1 mm	d2 mm	z mm	L2 mm	Weight
50/32	11.212.5032.71	50/32 SDR17/11	3	3	50	32	121	43	0.17
90/63	11.212.9063.71	90/63 SDR17/11	5,4	5,8	90	63	146	53	0.67
160/110	11.212.1611.71	160/110 SDR17/11	9,5	10	160	110	246	73	3.20