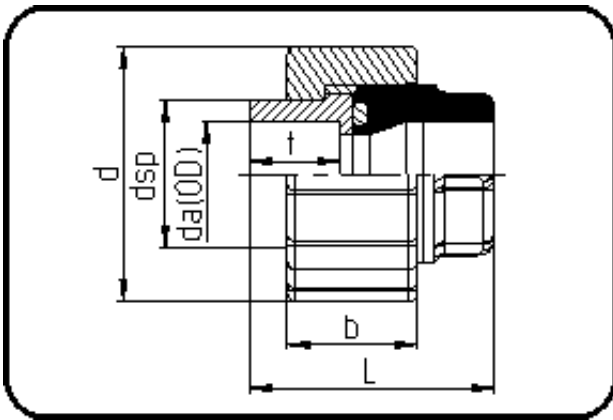


Fittings for Socket Welding



Code: 024.11

- Union Type 24
- FPM-sealing
- injection moulded
- **Socket-welding**
- PPR grey

Dimension	Code	Detail	Weight
50	11.024.1150.07	50 - MOP 10 bar	0.18

	Unit	Nominale	Tol+	Tol-
da(OD)	mm	50	0.00	0.00
L	mm	67	3.00	3.00
b	mm	35	1.50	1.50
dsp	mm	58,6	1.00	1.00
d	mm	89	1.50	1.50
t	mm	24,5	1.50	1.50